

# hayneedle



---

## Assembly Instructions

ITEM # LFY020-1/LFY022-1/LFY021-1(Vanilla, Pecan, Espresso)






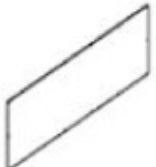
### **Storage Bench**



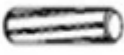



#### **PRE-ASSEMBLY PREPARATION:**

Please check all contents of this package before attempting to assemble the product. A full checklist of components is provided. If any components are missing, please contact the retailer from whom you have purchased this product. Read the Assembly Instructions in full before you begin to assemble. Please use CAUTION AND CARE WHEN LIFTING the product to avoid personal injury and (or) damage to the product. For ease of assembly, two people are recommended. The hardware packet contains SMALL ITEMS which should be KEPT AWAY FROM CHILDREN.

#### **ADULT ASSEMBLY REQUIRED.**

**Panel and Fittings Identification:**

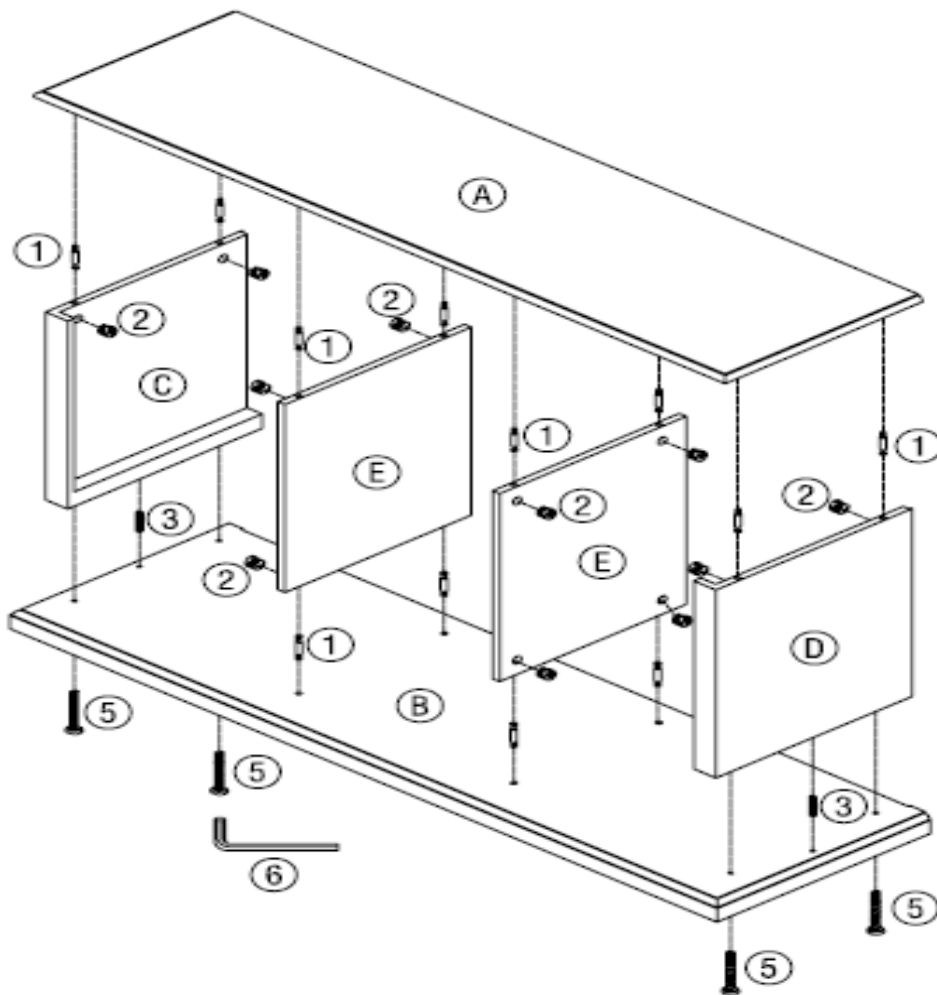
	PARTS	Q'TY
A		1PC
B		1PC
C		1PC
D		1PC
E		2PCS
F		1PC

1		12PCS
2		12PCS
3		2PCS
4		18PCS
5		4PCS
6		1PC

## Step By Step Assembly Instructions

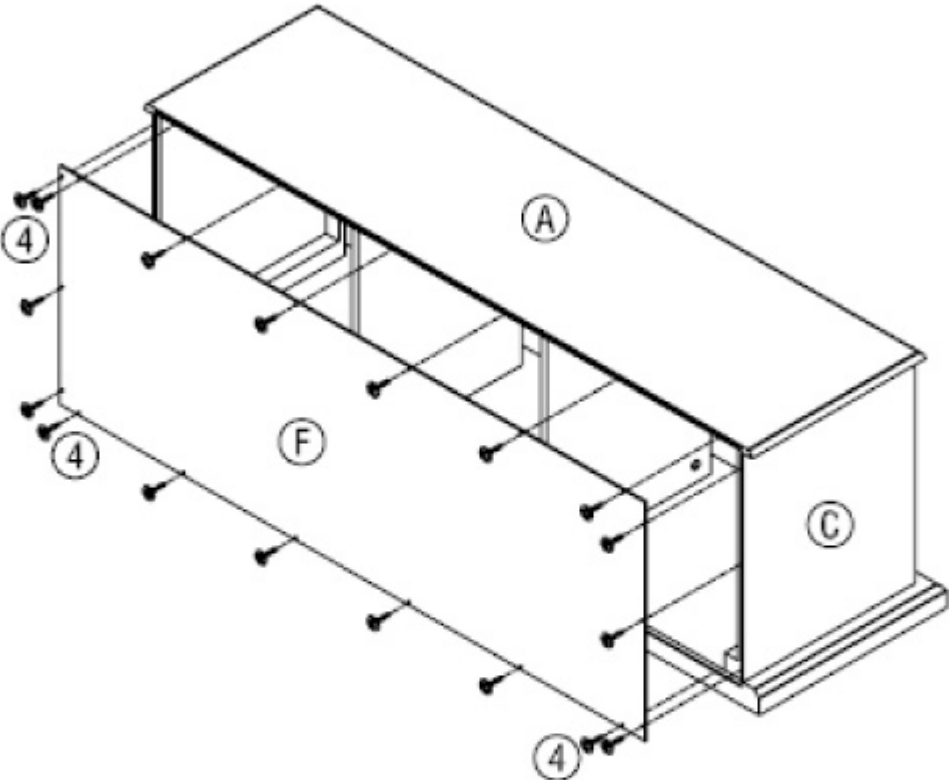
### Step 1:

Pre-assemble Top Panel (A) with Pin (1), Bottom Panel (B) with Pin (1) and Dowel (3). Assemble Panel (C/D/E) to Top Panel (A) and Bottom Panel (B), lock with Cam (2) as shown. Attach Bottom Panel (B) to Panel (C/D) with Bolt (5) from bottom side by Allen Wrench (6)



**Step 2:**

Attach Back Panel (F) to assembled unit with Bolt (4) by screwdriver as shown.



**Thank you for your Purchase.**